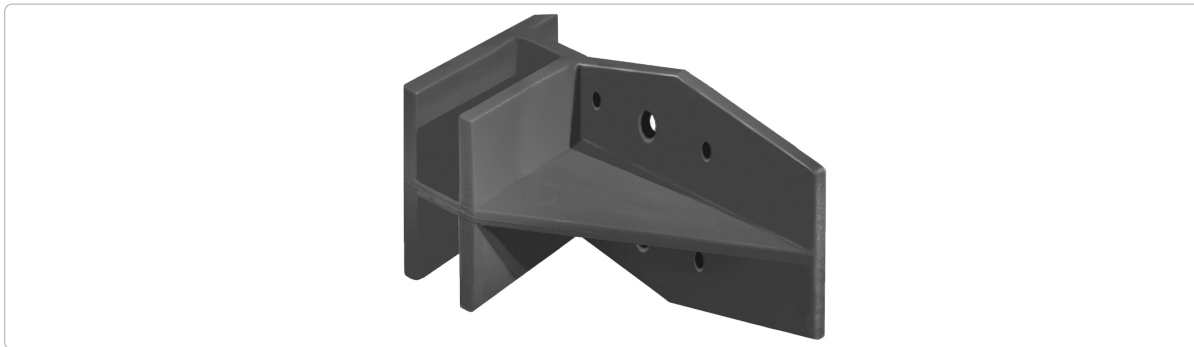


Knudsen Kilen

Data Sheet K-Wall 50e - for retrofitting



The K-Wall series makes it easy to fit doors and windows in most types of building work. The "e" version is for retrofitting on e.g. concrete elements, aerated concrete etc. The "i" version is for building-in in the front or back wall or for directly embedding in concrete elements. The K-Wall series ensures a number of advantages, including safe installation, no heat loss, easy renovation/replacement.

Technical information

Properties	Specifications	Remarks
Item number	9094402130	
Material	ABS	
Width / Length / Thickness	80 mm / 106 mm / 5 mm	
Mounting surface	58 x 50 mm	
Color	Anthracite grey	
Weight	77 grams	
Temperature High (Softing Point)	80 °C	
Temperature Low (Low Temperature Brittleness)	-40 °C	
UV resistance	UV additive added in masterbatch	
Aging effect	At 75 years, no change is seen in the material	The component has been tested at 20 degrees according to work standard SPF2000
Carrying capacity	120 kg	Depending on the substrate, screw and plug
Consumption	According to the window manufacturer's instructions	
Moisture	Is not affected by moisture, rot og fungus	
Fire	Does not emit toxic fumes in case of fire	
Fire classification	HB according to UL-94	
Capillary breaking	Yes	

